

HID25K Incremental Encoder



Main Features

- Up to 512 PPR
- Highly interference-resistant when used with frequency converters
- High protection class IP 54
Robust and economical encoder with small dimensions
- Maximum mechanical and electrical safety
- High noise immunity
- With control output
- Exeerable environment
- Clamping flange
- With shaft $\Phi 4\text{mm}$
- Industrial standard encoder

Electrical Data

Resolution	100, 200, 250, 256, 500, 512 PPR
Output circuit model	Complementary
	Voltage
	Open collector
Voltage supply	DC5V, DC10...30V
Current consumptions	Complementary: 150mA
	Voltage/ Open collector: 60mA
Output frequency	100 KHz
Load current	Complementary: 20mA
	Voltage/ Open collector: 30mA
High level signal	VccX70%
Low level signal	0.5V
Rise/fall time t_r / t_f	Complementary: 100ns
	Voltage/ Open collector: 1us
EMC	DIN EN 61000-6-2
	DIN EN 55011

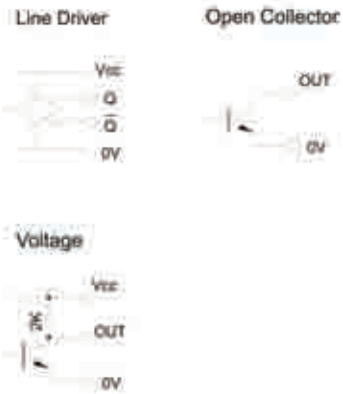
Mechanical Data

Max. rotational speed	5000r/min
Axial shaft load	10N
Radial shaft load	5N
Weight	40g (Without cable)
Starting torque(25°C)	$5 \times 10^{-3} \text{N.m}$
Bearing life	10^6RPM
Protection	IP54
Material	Bearing: Stainless steel
	Housing: Cast aluminum
	Main body: Aluminum alloy
Connection	Cable radial

Environmental Data

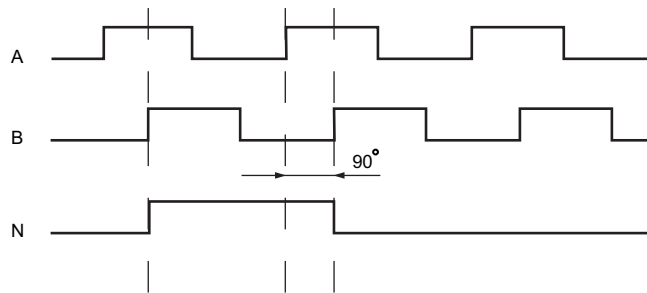
Operating temperature	-10°C ... 70°C
Storage temperature	-20°C ... 80°C
Humidity	98% RH
Shock	1000m/s^2 , 6ms
Vibration	100m/s^2 , 10 ... 200Hz

Output Circuit

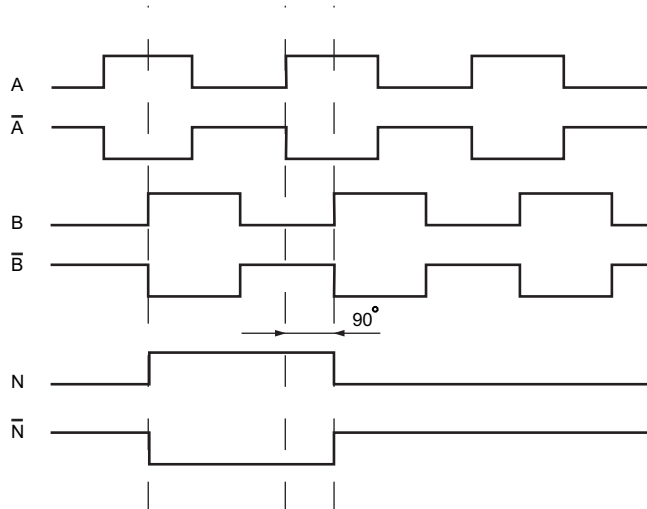


Output Signals

Track A,B,N



Track A,B,N and inv.

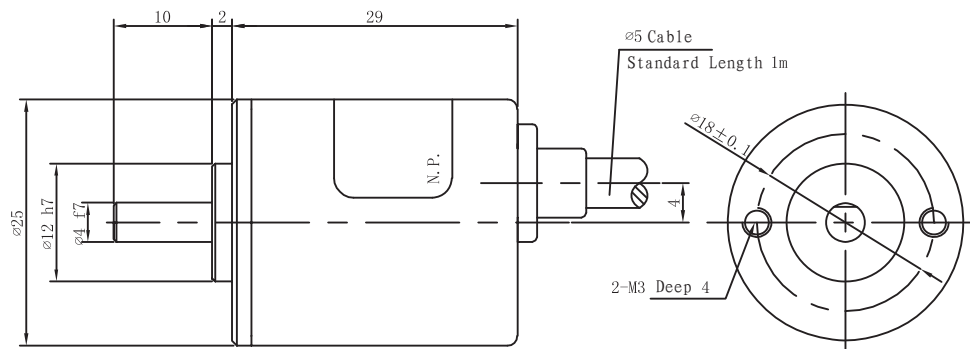


Connection diagrams

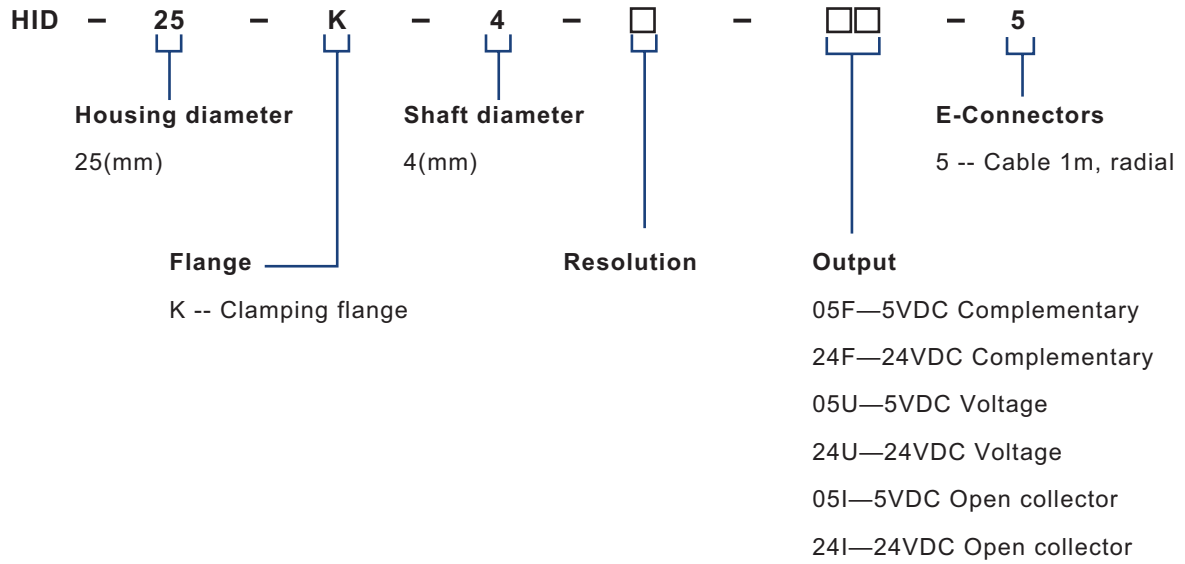
Cable Color	Cable
Brown	
White	Vcc
Green	B
Yellow	N
Gray	
Red	A
Black	0V
Purple	

Dimensions

Cable axial:



Ordering Information



Resolution

50 (5)	58 (128)
37 (10)	07 (200)
51 (25)	10 (250)
40 (50)	14 (360)
41 (60)	15 (400)
42 (100)	16 (500)

Example: Ordering key 58 = 128 pulses.
Other pulse numbers on request.